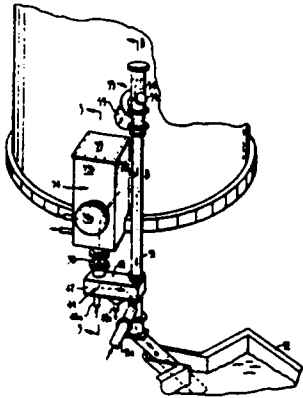


material from the bed and from the gas stream. The material removed is passed to screening mechanism which separates materials into relatively larger particles and relatively smaller particles. The smaller particles are fed by conveyor to means feeding the bed. The larger particles are mainly ash which is discarded. Removal of material from the bed under load is provided for.

4421038

METHOD AND APPARATUS FOR REMOVING FOREIGN OBJECTS FROM FLUID BED SYSTEMS

Gary O Goldbach, Michael A O'Hagan assigned to Combustion Power Company Inc

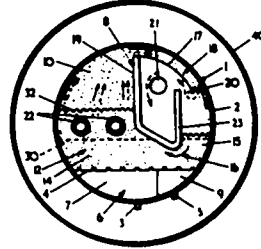


A foreign object removal system is disclosed including a removal chamber projecting laterally from the combustion chamber of a fluid bed reactor and connected via a downwardly directed pipe to a material flow control plenum chamber which includes means for fluidizing the mixture of inert fluid bed particles and foreign objects at the bottom of the pipe for lateral movement into an air classifier wherein the foreign objects are dropped to a collection tank and the fluid bed particles are carried upwardly by a stream of classifying air to a deentrainment chamber where their velocity is reduced and they are returned to the combustion chamber.

4419966

FLUIDIZED BED COMBUSTION

Francis J Jenkins, Michael J Jenkins, Wolverhampton, United Kingdom assigned to EMS Thermpant Limited

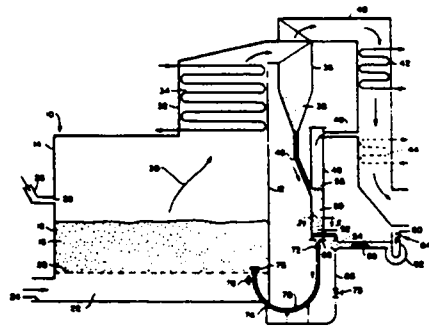


A fluidized combustion bed is divided by a hollow baffle into two regions which are fluidized at respectively higher and lower fluidizing velocities. Exhaust gases and elutriated particles leaving the larger region pass into the freeboard and around the baffle, the particles being deposited after such passage into the smaller region and the gases flowing into the baffle for exhaust.

4419965

FLUIDIZED REINJECTION OF CARRYOVER IN A FLUIDIZED BED COMBUSTOR

Juan Garcia-Mallol, Michael G Alliston assigned to Foster Wheeler Energy Corporation



A system for the fluidized reinjection of fine particles (carryover) into a fluidized bed combustor. The carryover recirculation system includes a fluidized reinjection bed which is fluidized using